

Commercial

Commercial S Pressure Balance Trim

Finishes : **chrome** Part no. : **04441000**



Description

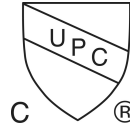
Features

- Flow: 5.5 GPM
- Integrated bypass for use with diverter tub spouts
- Temperature and on/off control for 1 outlet

Item details

List Price \$ 177.00

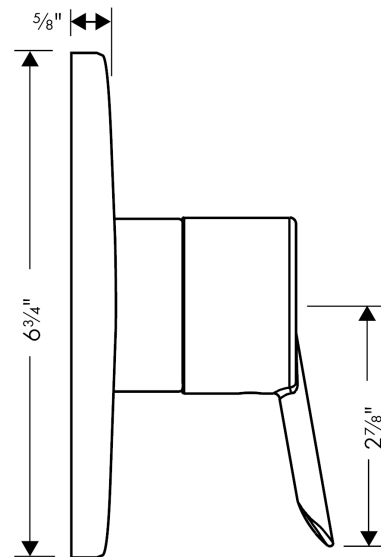
Compliance



Product image



Scale drawing



Commercial

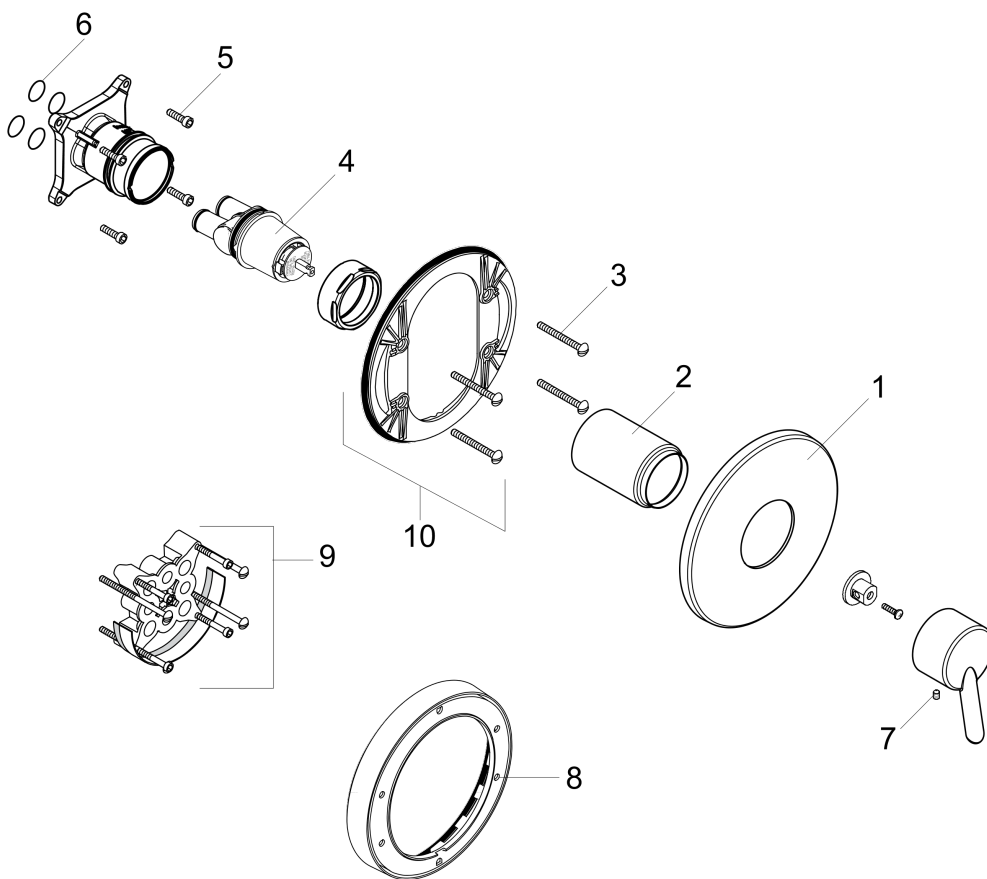
Commercial S Pressure Balance Trim

Finishes : **chrome** Part no. : **04441000**



Exploded drawing

Year of production: >11/10



Commercial

Commercial S Pressure Balance Trim

Finishes : **chrome** Part no. : **04441000**



Spare parts list

Year of production: >11/10

| Pos. | Description | Part no. | Price | PU |
|------|----------------------------|----------|-------|----|
| 1 | escutcheon | 88760000 | - | 1 |
| 2 | sleeve | 88765000 | - | 1 |
| 3 | set of fixing screws | 96454000 | - | 1 |
| 4 | cartridge, assy | 88727000 | - | 1 |
| 5 | set of screws | 96525000 | - | 1 |
| 6 | O-ring 16x2 | 98133000 | - | 1 |
| 7 | screw | 88654000 | - | 1 |
| 8 | extension 22 mm (Ø 170 mm) | 13596000 | - | 1 |
| 9 | extension 25 mm | 13595000 | - | 1 |
| 10 | sub plate | 96447000 | - | 1 |
| a | base body | 01850181 | - | 1 |